

1 2 3 4 5 6

A

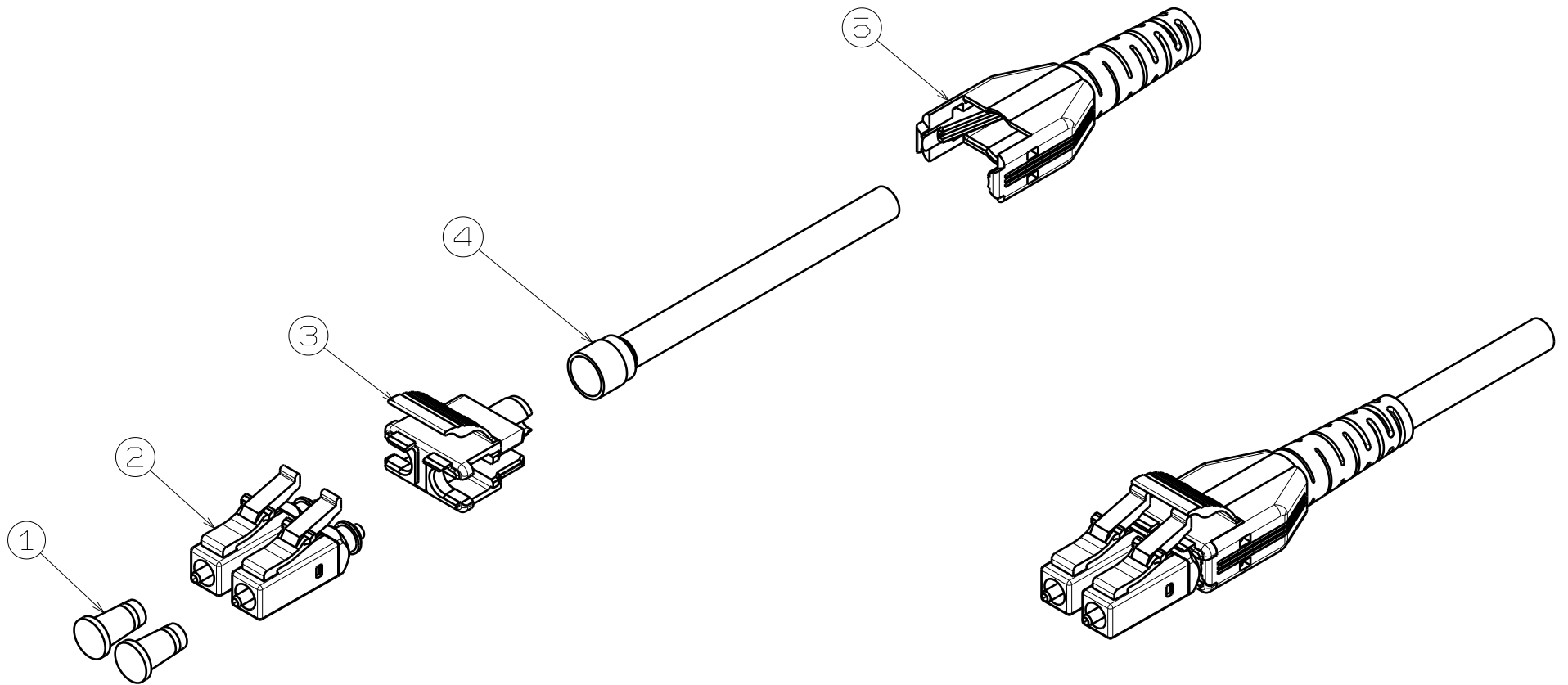
A

B

B

C

C



D

D

⑤	LC Uniboot	Thermoplastic Elastmer	White	1	0808
④	Crimp Sleeve Sub-assembly	Al+ Polyolefin	White, Yellow	1	0840
③	Uniboot Clip	PEI	Blue, Beige	1	0807
②	LC BTW Pre-Assembly Connector	-	Blue, Beige	2	0864
①	Dust Cap	PP	White	2	0202
(No.)	名称 (Name)	材質 (Material)	色 (Color)	数量 (Piece)	区画 (Drawing No.)

名称 (Title)		LC Duplex Uniboot Connector	
日付 (Date)		2005.11.25	
図面番号 (Drawing No.)		FOC-0865	
承認 (Approved by)		検図 (Checked by)	
設計 (Designed by)		製図 (Drawn by)	
		M.N	

 <p>Fine Precision, Nano Solution <b>SUNCALL CORP.</b></p>	
<p><b>SUNCALL CONFIDENTIAL</b></p>	

1 2 3 4 5 6